

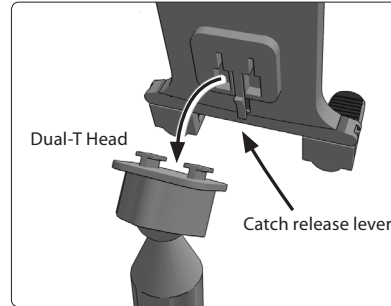
# TAB001 | Universal Tablet Holder



## Package Contents:

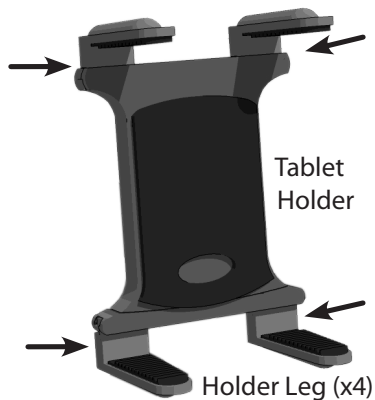
(1) TAB001 - Universal Tablet Holder with (4) regular legs, (2) long legs

\*Attaches to any Arkon Dual-T vehicle mount for tablets.

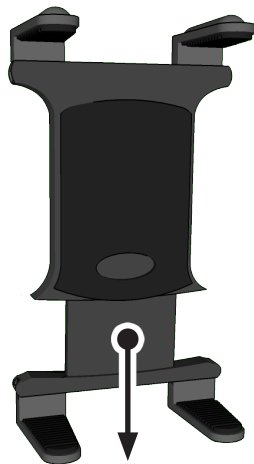


### 1 Holder Assembly

Slide four holder legs into the holder body and attach to head-rest mount by inserting the mount into the slots on the back of the holder. To remove the holder, depress the catch release lever and slide the holder off the extension mount.



### 2 The bottom section of the holder expands down to fit varying size tablets.



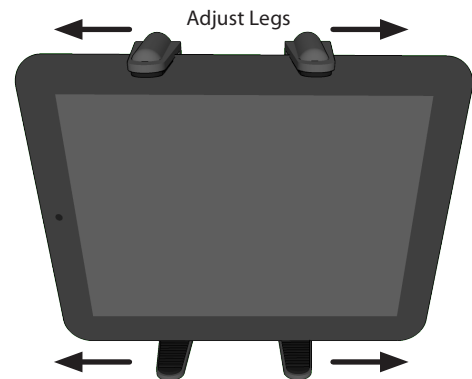
### 3 Loading the Tablet

While securing holder with one hand, press the tablet down on the bottom legs section. Slide the top of the device under the top support legs and gently release pressure for a snug fit. If necessary, you can use the different size legs provided.



### 4 Adjust Legs if necessary

Slide the holder legs out of the way of buttons or ports if necessary.



#### Safety Precautions

Do not install Arkon products over an air bag cover or within the air bag deployment zone. Arkon Resources, Inc. assumes no responsibility of liability for injury or death as a result of car crashes and/or air bag deployment.

Arkon is not responsible for any damages caused to your car, your device, or yourself due to the installation or use of this pedestal mount.

Rev. 082611

**ARKON**  
RESOURCES INC.

The Mobile Mounting Specialists™

Consumer Hotline:

USA (800) 841-0884

INT'L (626) 254-9005

Monday - Friday 9 am - 5 pm, PST

[www.arkon.com](http://www.arkon.com)

Arcadia, CA 91006 USA

Designed in USA | Made in Taiwan

© Copyright 2011 Arkon Resources, Inc.