

SM040-2 | Universal Cradle with Adjustable Legs



SM040-2
Universal Cradle

Contents:

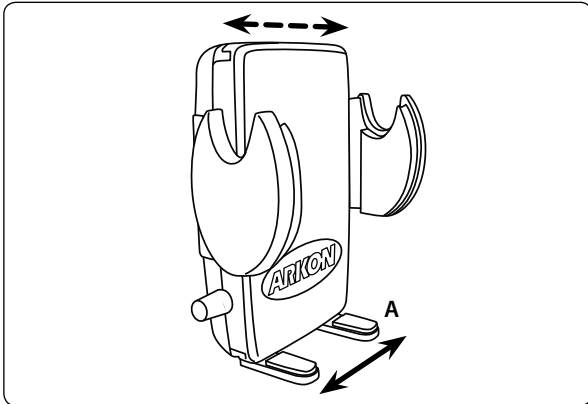
(1) SM040-2 - Universal cradle with adjustable legs

Compatible with:

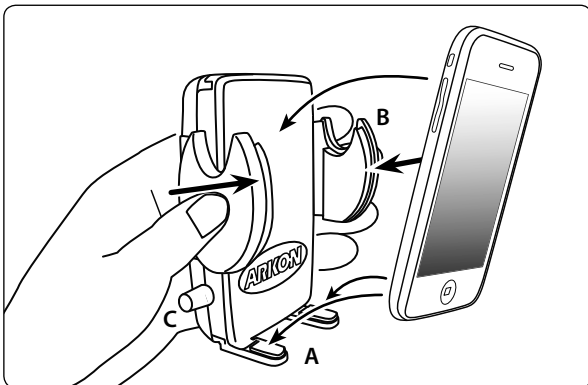
- Most mobile phones, Smartphones, PDAs, smaller GPS units, and MP3 music devices.

Universal Cradle Adjustments

Step 1. If necessary, adjust the removable support legs (A) by sliding them laterally on top or bottom of the cradle. These will provide added support and stability for your device.



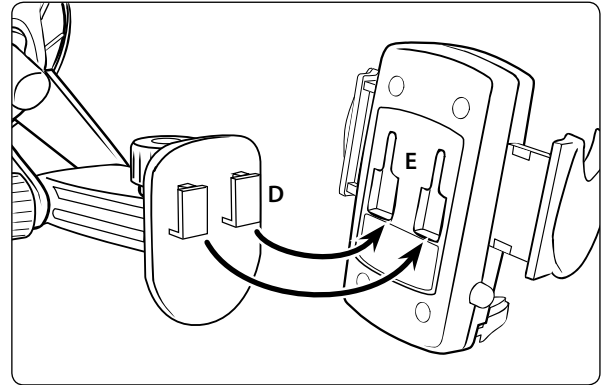
Step 2. Place device on the support legs (A) and squeeze the side grip arms (B) until they fit securely to the device.



Step 3. Push the release button (C) to open the side grip arms and remove the device.

Pedestal Attachment

Step 1. Attach the universal cradle to the dual-T tab pedestal head (D) (not included, sold separately) by inserting the T-tabs into the T-slots (E).



! Safety Precautions

Do not install Arkon products over an air bag cover or within the air bag deployment zone. Arkon Resources, Inc. assumes no responsibility of liability for injury or death as a result of car crashes and/or air bag deployment.

Arkon is not responsible for any damages caused to your car, your device, or yourself due to the installation or use of this pedestal mount.

ARKON
RESOURCES INC.

The Mobile Mounting Specialists™

Consumer Hotline:

USA (800) 841-0884

INT'L (626) 254-9005

Monday - Friday 9 am - 5 pm, PST

www.arkon.com

Arcadia, CA 91006 USA

Designed in USA | Made in Taiwan

© Copyright 2009 Arkon Resources, Inc.