



SGT-001
Holder For Galaxy Tab 7"

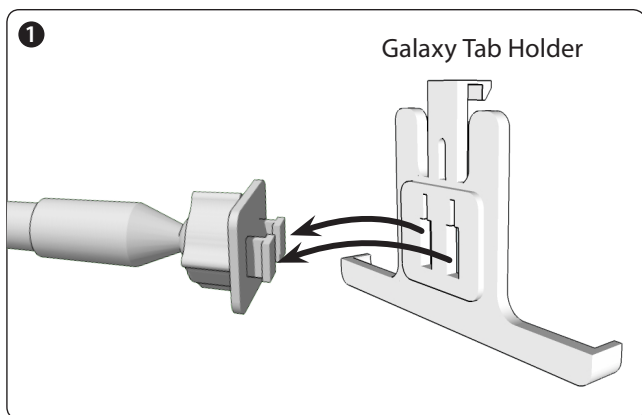
Package Contents:

(1) SGT-001 - Galaxy Tab 7" Holder

! Do not place mount in or near an air bag deployment zone or where it will obstruct view of the road.

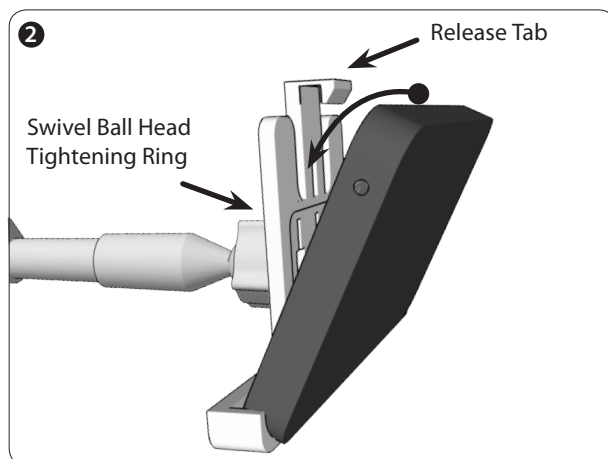
1 Attaching the Holder to a Mount

Attach the Tablet holder to the mount by inserting the dual T-tabs on the mount to the dual T-slots on the holder.



2 Mounting and Removing the Galaxy Tab from the Holder

Insert the Galaxy Tab into the holder until it fits snugly in the holder. Adjust the position of the Galaxy Tab for optimum viewing. Remove Galaxy Tab by pushing back the release tab on the holder and gently pulling the Galaxy Tab out.



! **Safety Precautions**
Do not install Arkon products over an air bag cover or within the air bag deployment zone. Arkon Resources, Inc. assumes no responsibility of liability for injury or death as a result of car crashes and/or air bag deployment.
Arkon is not responsible for any damages caused to your car, your device, or yourself due to the installation or use of this pedestal mount.

ARKON
RESOURCES INC. The Mobile Mounting Specialists™

Consumer Hotline:
USA (800) 841-0884
INT'L (626) 254-9005
 Monday - Friday 9 am - 5 pm, PST

www.arkon.com
 Arcadia, CA 91006 USA
 Designed in USA | Made in China and Taiwan
 © Copyright 2011 Arkon Resources, Inc.