

# HM002 | Adjustable Headrest Mount



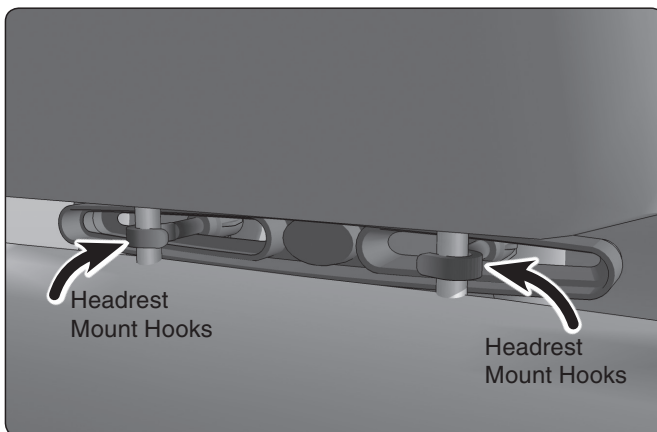
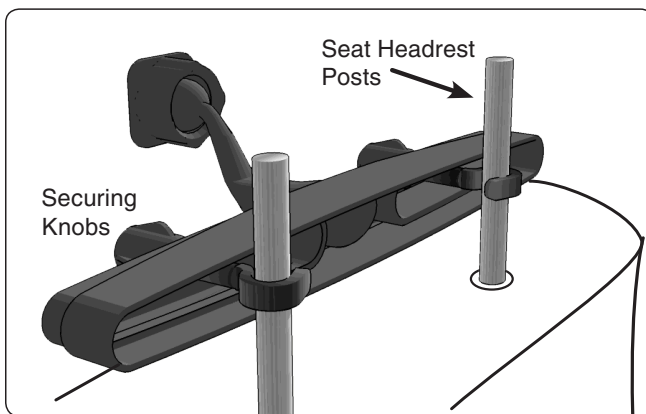
HM002  
Adjustable Headrest Mount

## Package Contents:

(1) HM002-SBH - Adjustable Headrest Mount

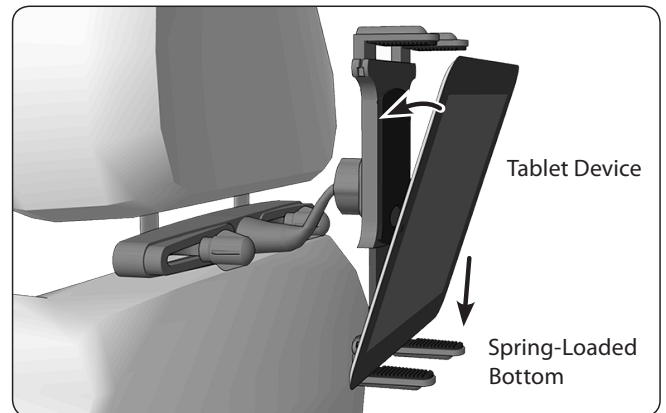
### 1 Seat Headrest Mounting

Raise the vehicle's headrest and place the headrest mount hooks around the headrest posts. Tighten the securing knobs.



### 2 Loading the Tablet

While securing holder with one hand, press the tablet down on the lower holder legs which are spring loaded. Slide the top of the device under the top support legs and gently release pressure for a snug fit. If necessary, you can use the different size legs provided.



#### Safety Precautions

Do not install Arkon products over an air bag cover or within the air bag deployment zone. Arkon Resources, Inc. assumes no responsibility of liability for injury or death as a result of car crashes and / or air bag deployment.

Arkon is not responsible for any damages caused to your car, your device, or yourself due to the installation or use of this pedestal mount.

Rev. 111611

**ARKON**  
**RESOURCES INC.**

*The Mobile Mounting Specialists™*

Consumer Hotline:

USA (800) 841-0884

INT'L (626) 254-9005

Monday - Friday 9 am - 5 pm, PST

[www.arkon.com](http://www.arkon.com)

Arcadia, CA 91006 USA

Designed in USA | Made in Taiwan

© Copyright 2011 Arkon Resources, Inc.