

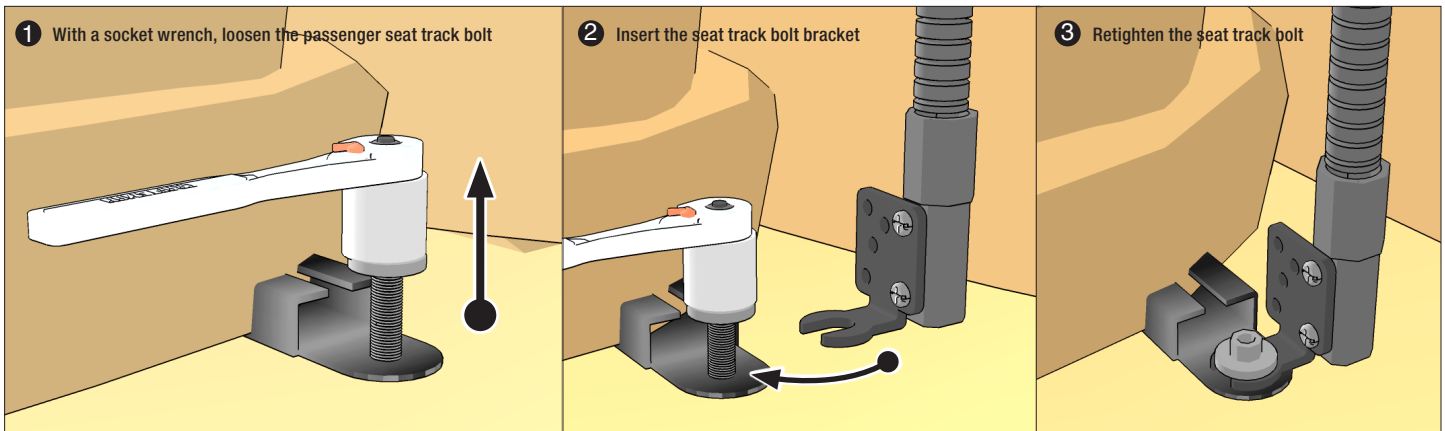
Package Contents:



! Do not place mount in or near an air bag deployment zone or where it will obstruct view of the road.

Passenger Seat Bolt Mounting

For a simple mount that can be easily moved to another vehicle, install using the passenger seat track bolt.



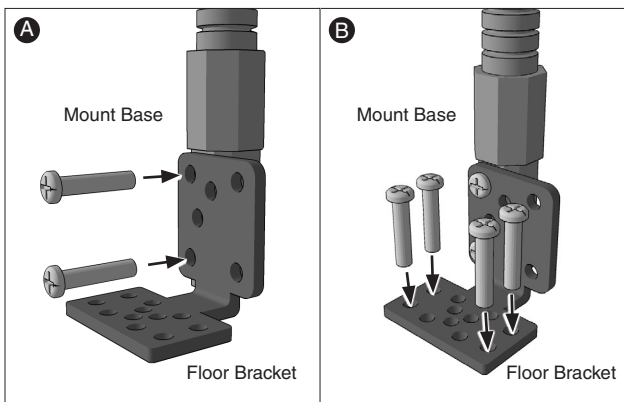
Alternative Floor or Console Mounting

For a more permanent mount, connect the Floor/Console Mount Bracket to the floor or console. This will require drilling into your vehicle's interior surface.

! Drilling into the dash, floor, or console will permanently damage the vehicle. Use caution and consult a mobile install professional to avoid drilling into the gas tank, electrical system or other highly sensitive vehicle components.

Fig. A Screw the mount bracket to the mount. Depending on your vehicle, you may need to change the orientation of the bracket.

Fig. B Attach the Floor / Console Bracket with screws.



Attach a Tablet or Phone Holder to the Mount

