

GN016-SBH | Desktop or Vehicle Dash | Console Mount

Patent Pending

Swivel Mount Pedestal



Removable Desktop Gel Disc



Optional Dash / Console Mounting Screws



Foam Adhesive Mounting Disc



Package Contents:

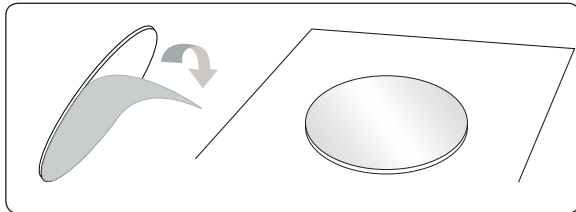
- (1) GN016-SBH - Swivel mount pedestal
- (1) Semi-permanent foam adhesive mounting disc (optional)
- (1) Removable desktop gel disc (optional)
- (1) Set of 3 mounting screws (optional)
- (1) Alcohol cleaning pad



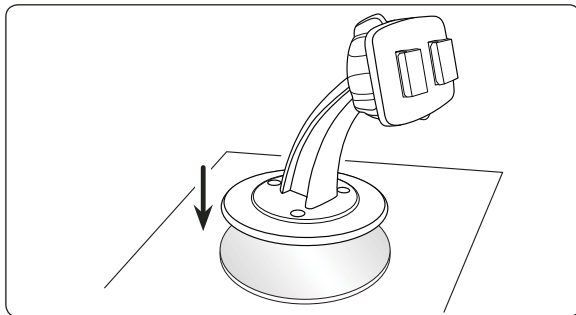
Do not place mount in or near an air bag deployment zone or where it will obstruct view of the road.

Desktop Mount Installation

- Step 1. Clean the desk or other smooth surface area and let dry.
- Step 2. Remove the backing on one side of the gel disc and place the sticky side down on the cleaned surface. Press the top of the disc down firmly to allow the gel to stick to the surface.



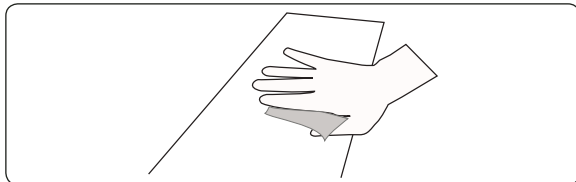
- Step 2. Remove the backing on the top side of the gel disc and firmly press the pedestal down on the adhesive disc.



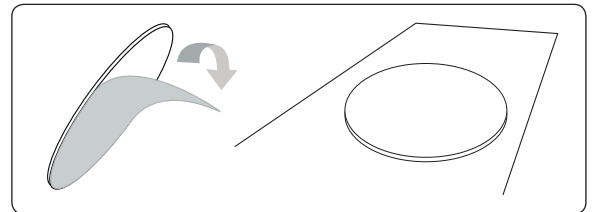
- Step 3. To remove the desktop gel disc, simply peel and lift up. Clean the disc with soap and water to revive the gel's stickiness.

Vehicle Dash or Console Mount Installation

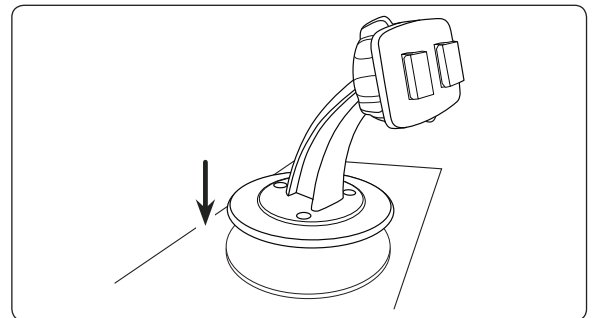
- Step 1. Find a safe location on the vehicle dash or console. Clean the dash or console surface area thoroughly with the included alcohol pad. Allow the area dry before applying the disc.



- Step 2. Remove the paper backing on one side of the disc and place the sticky side down on the cleaned surface. Press the top of the disc down firmly to allow the adhesive to stick to the surface. Allow 24 hours for the adhesive to cure to the surface before attaching the mount.



- Step 3. Remove the paper on the top side and firmly press the mount down on the adhesive disc.



Optional Screw Mounting



Safety Precautions

Drilling into the dash or console is a permanent installation to the vehicle. Use caution and consult a mobile install professional to avoid drilling into the gas tank, electrical system or other highly sensitive vehicle components.

Arkon Resources, Inc. is not responsible for any damages caused to your car or yourself due to the install of the pedestal mount.

Continued on other side...



Safety Precautions

Do not install Arkon products over an air bag cover or within the air bag deployment zone. Arkon Resources, Inc. assumes no responsibility of liability for injury or death as a result of car crashes and/or air bag deployment.

Arkon is not responsible for any damages caused to your car, your device, or yourself due to the installation or use of this pedestal mount.

ARKON[®]
RESOURCES INC.

The Mobile Mounting Specialists™

Consumer Hotline:

USA (800) 841-0884

INT'L (626) 254-9005

Monday - Friday 9 am - 5 pm, PST

www.arkon.com

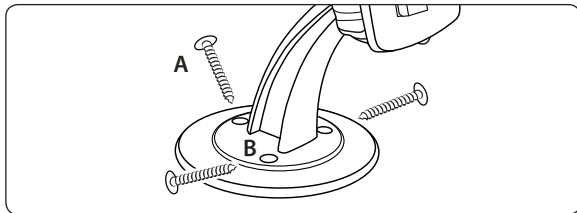
Arcadia, CA 91006 USA

Designed in USA | Made in China and Taiwan

© Copyright 2009 Arkon Resources, Inc.

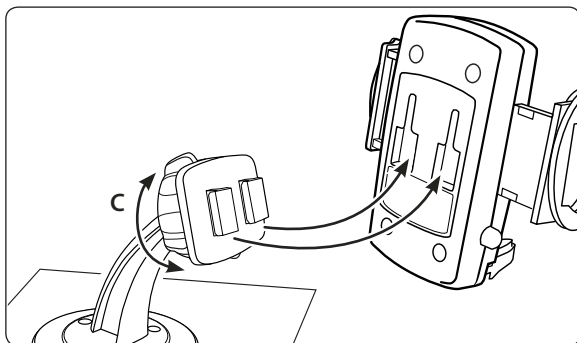
Continued from previous side...

- Step 1. Using a screwdriver, tighten the 3 screws (A) through the pedestal base holes (B) into the mounting surface.



Dual T Device Attachment

- Step 1. While holding the pedestal, firmly slide the dual T slots on the back of your cradle or device (not included, sold separately) on to the dual T tabs of the pedestal head. Adjust the angle of the pedestal head and tighten the adjustment ring (C).



Safety Precautions

Do not install Arkon products over an air bag cover or within the air bag deployment zone. Arkon Resources, Inc. assumes no responsibility of liability for injury or death as a result of car crashes and/or air bag deployment.

Arkon is not responsible for any damages caused to your car, your device, or yourself due to the installation or use of this pedestal mount.

ARKON[®]
RESOURCES INC.

The Mobile Mounting Specialists™

Consumer Hotline:

USA (800) 841-0884

INT'L (626) 254-9005

Monday - Friday 9 am - 5 pm, PST

www.arkon.com

Arcadia, CA 91006 USA

Designed in USA | Made in China and Taiwan

© Copyright 2009 Arkon Resources, Inc.