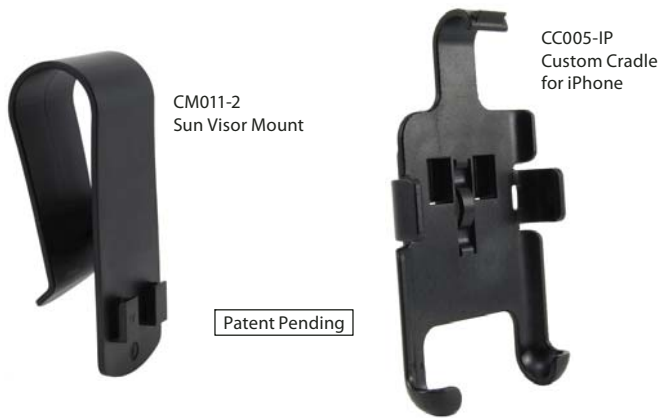


# IPM111 | Sun Visor Mount for Apple® iPhone™



## Package Contents:

- (1) CM011-2 - Sun visor mount
- (1) CC005-IP - Custom cradle for Apple iPhone

## Compatible with:

- Apple iPhone 3G and Original iPhone

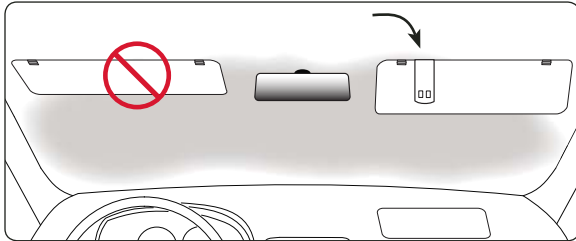
**⚠ Note:** Arkon **strongly recommends** using the visor mount on the passenger side sun visor. Using this mount on the driver's side visor will reduce the driver's view of the road.

Do not place device car charger cords in or near an air bag deployment zone.

Apple brand name and iPhone product name are trademarks or registered trademarks of Apple, Inc. Arkon Resources, Inc. is not affiliated with Apple, Inc.

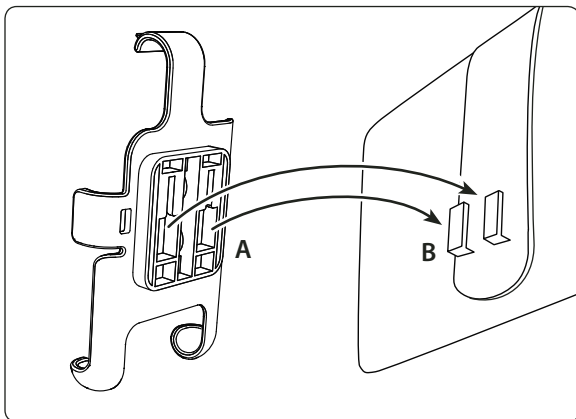
## Sun Visor Mounting

- Step 1. Lower the passenger side sun visor and place the clip mount over the top of the visor. Slide the mount left or right to adjust the location on the visor.



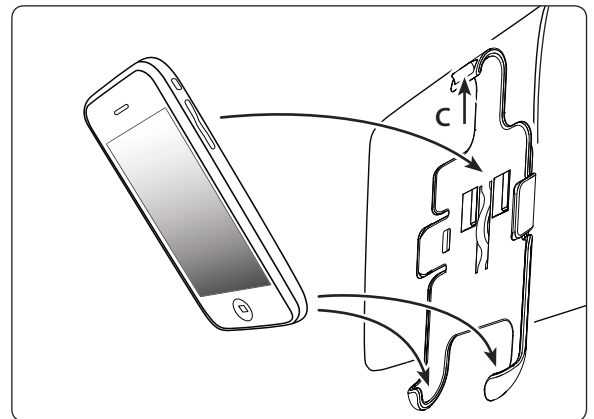
## Connect iPhone Cradle to Pedestal

- Step 1. Connect the dual T-slots (A) on the back of the iPhone cradle to the dual T-tabs (B) on the sun visor mount.



## iPhone Insertion and Removal from Cradle

- Step 1. Lift and hold the upper thumb tab (C) while gently lowering the iPhone device (not included, sold separately) into the cradle.



## Safety Precautions

Follow all manufacturer safety guidelines for operating your device. Failure to practice safe usage of GPS device while driving may result in damage, injury, or death.

Arkon is not responsible for any damages caused to your car, your device, or yourself due to the installation or use of this pedestal mount.

**ARKON®**  
**RESOURCES INC.** The Mobile Mounting Specialists™

Consumer Hotline:

USA (800) 841-0884

INT'L (626) 254-9005

Monday - Friday 9 am - 5 pm, PST

[www.arkon.com](http://www.arkon.com)

Arcadia, CA 91006 USA

Designed in USA | Made in China

© Copyright 2008 Arkon Resources, Inc.