

# CC005-IP | Custom Cradle for Apple® iPhone™ 3G and Original



CC005-IP  
Custom Cradle  
for iPhone

Patent Pending

## Contents:

(1) CC005-IP - Custom cradle for Apple iPhone

## Compatible with:

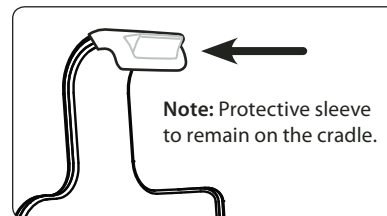
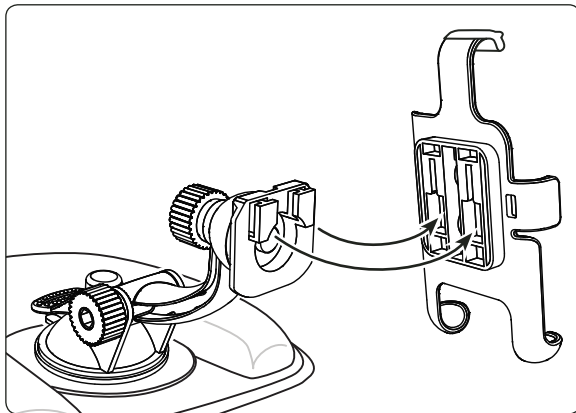
• Apple iPhone 3G and Original iPhone



Do not place mount in or near an air bag deployment zone or where it will obstruct view of the road.

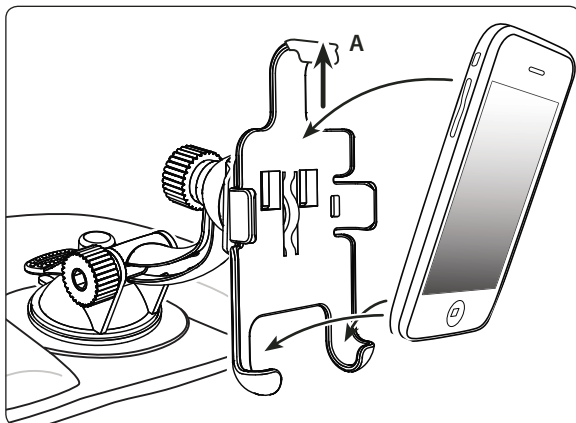
## Connect iPhone Custom Cradle CC005-IP to Mounting Pedestal (Pedestals Sold Separately)

Step 1. Connect the Dual-T slots on iPhone cradle to the Dual-T tabs on the pedestal head (not included, sold separately.)



## iPhone Insertion into the Custom Cradle CC005-IP

Step 1. Lift and hold the upper thumb tab (A) while gently lowering the iPhone device (not included, sold separately) into the cradle.



## Safety Precautions

Do not install Arkon products over an air bag cover or within the air bag deployment zone. Arkon Resources, Inc. assumes no responsibility of liability for injury or death as a result of car crashes and/or air bag deployment.

Arkon is not responsible for any damages caused to your car, your device, or yourself due to the installation or use of this pedestal mount.

**ARKON**  
RESOURCES INC.

The Mobile Mounting Specialists™

Consumer Hotline:

USA (800) 841-0884

INT'L (626) 254-9005

Monday - Friday 9 am - 5 pm, PST

[www.arkon.com](http://www.arkon.com)

Arcadia, CA 91006 USA

Designed in USA | Made in China and Taiwan

© Copyright 2008 Arkon Resources, Inc.