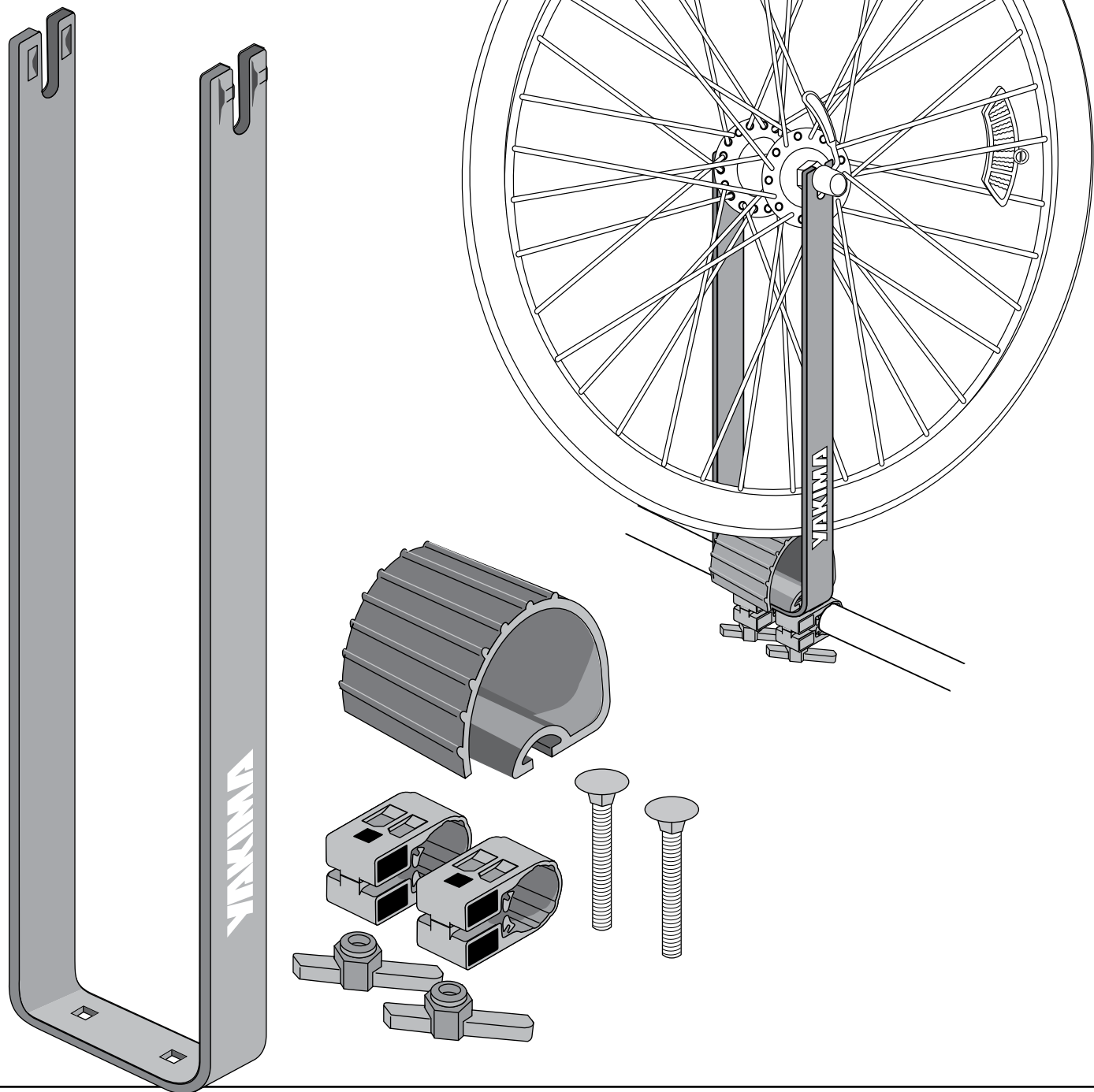


# YAKIMA WheelFork

US



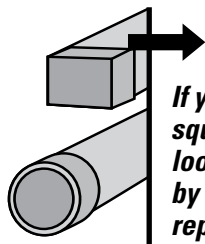
## IMPORTANT WARNING!

**IT IS CRITICAL THAT ALL YAKIMA RACKS AND ACCESSORIES BE PROPERLY AND SECURELY ATTACHED TO YOUR VEHICLE. IMPROPER ATTACHMENT COULD RESULT IN AN AUTOMOBILE ACCIDENT, AND COULD CAUSE SERIOUS BODILY INJURY OR DEATH TO YOU OR TO OTHERS. YOU ARE RESPONSIBLE FOR SECURING THE RACKS AND ACCESSORIES TO YOUR CAR, CHECKING THE ATTACHMENTS PRIOR TO USE, AND PERIODICALLY INSPECTING THE PRODUCTS FOR ADJUSTMENT, WEAR, AND DAMAGE. THEREFORE, YOU MUST READ AND UNDERSTAND ALL OF THE INSTRUCTIONS AND CAUTIONS SUPPLIED WITH YOUR YAKIMA PRODUCT PRIOR TO INSTALLATION OR USE. IF YOU DO NOT UNDERSTAND ALL OF THE INSTRUCTIONS AND CAUTIONS, OR IF YOU HAVE NO MECHANICAL EXPERIENCE AND ARE NOT THOROUGHLY FAMILIAR WITH THE INSTALLATION PROCEDURES, YOU SHOULD HAVE THE PRODUCT INSTALLED BY A PROFESSIONAL INSTALLER SUCH AS A QUALIFIED GARAGE OR AUTO BODY SHOP.**

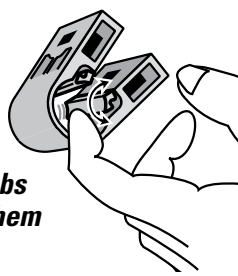
Part #1032732 Rev.C

# 1 ATTACH THE BAR BRACKETS.

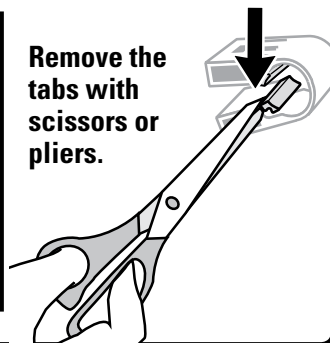
Do you have round or square crossbars?  
If round, continue to step 2.



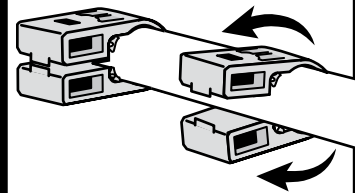
*If you have square bars, loosen the tabs by bending them repeatedly.*



Remove the tabs with scissors or pliers.

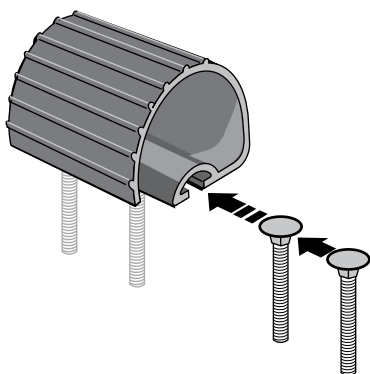


# 2 Attach two brackets to the bar.



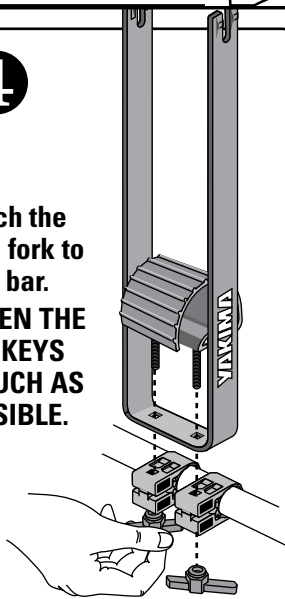
# 3 PREPARE WHEELFORK:

Slide bolts into the slot of the anti-spin pad.



# 4

Attach the wheel fork to the bar.  
**TIGHTEN THE HEX KEYS AS MUCH AS POSSIBLE.**

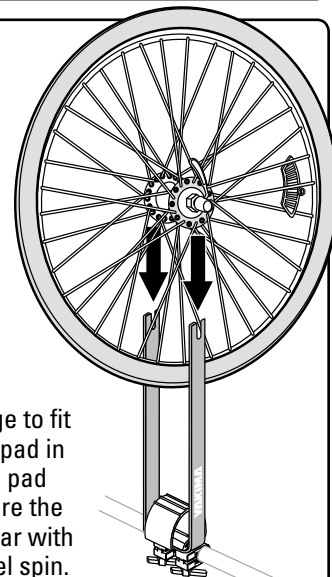


# 5

## INSTALL YOUR WHEEL.

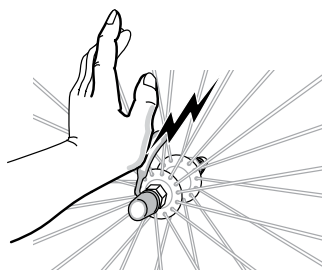
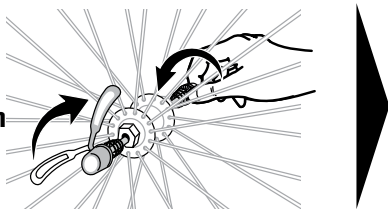
*You may need to loosen the quick release lever to allow loading.*

If your wheel is too large to fit securely with anti spin pad in place, remove anti spin pad and install wheel. Secure the lower rim to the crossbar with a strap to prevent wheel spin.



# 6 TIGHTEN THE QUICK RELEASE LEVER.

With lever open, tighten the nut until the lever closes with **FIRM** resistance.



**!**  
*The wheel is secure **ONLY** after the lever closes with firm resistance.*



## BEFORE DRIVING AWAY:

ATTACHMENT HARDWARE CAN LOOSEN OVER TIME. CHECK AND TIGHTEN IF NECESSARY, BEFORE EACH USE.

**IF YOU NEED FURTHER TECHNICAL ASSISTANCE OR REPLACEMENT PARTS:**  
Please contact your dealer or call us at (888) 925-4621 Monday through Friday, 7:00 am to 5:00 pm Pacific time.



This product is covered by **YAKIMA's "Love It Till You Leave It" Limited Lifetime Warranty**

To obtain a copy of this warranty, go online to [www.yakima.com](http://www.yakima.com) or email us at [yakwarranty@yakima.com](mailto:yakwarranty@yakima.com) or call (888) 925-4621