

MG600 | Mini Tripod with Mobile Grip Smartphone Holder and Pouch

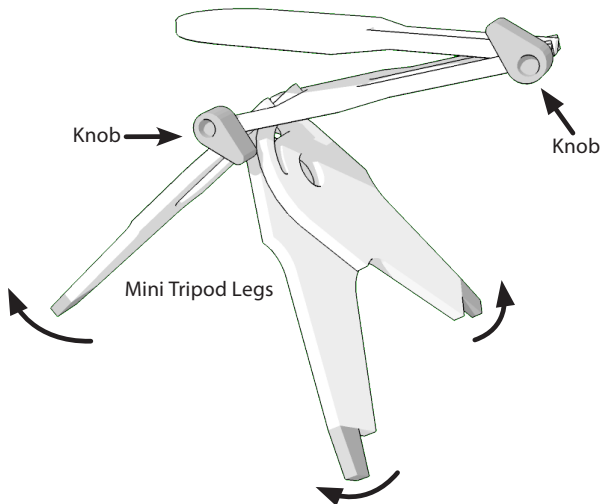


Package Contents:

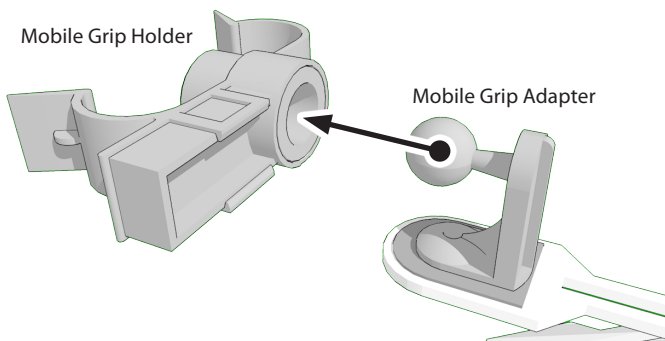
- (1) MG001 - Mobile Grip Holder
- (1) CAM-TRIPOD - Mini Tripod
- (1) CAM-POUCH - Nylon pouch for Mini Tripod
- (1) AP142017MM - Mobile Grip Adapter for Tripod

1 Holder Assembly

The Mini Tripod comes folded for easy transport. Unfold the Mini Tripod by loosening the knobs and expanding the legs. Tighten the knobs to secure desired position.

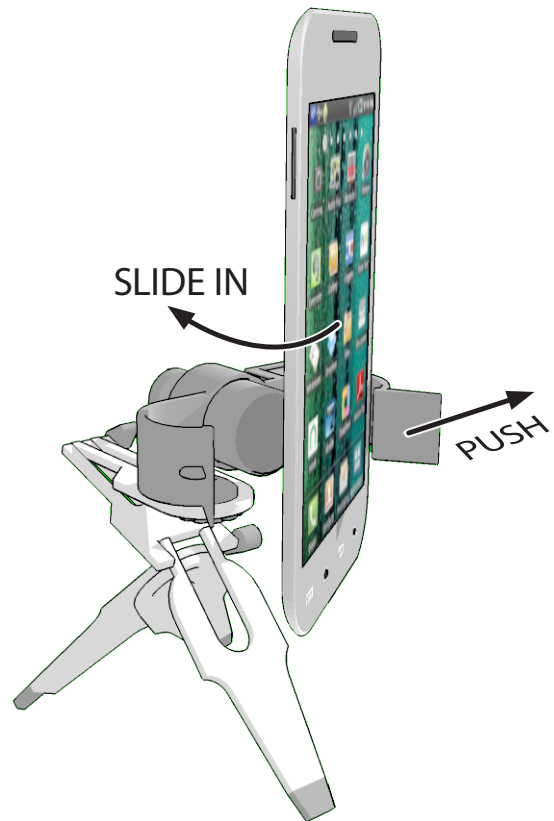


2 Attach the Mobile Grip Holder to the Mobile Grip adapter by pushing the adapter ball into the cavity on the back of the holder.



3 Insert Phone into Holder

Insert your phone firmly into the Mobile Grip holder and slide the spring arm open in one motion until both grip arms wrap around the device. Position the phone in the holder to avoid any buttons or ports.



To remove, place your thumb on the holder arm and press gently until the phone releases outward.



Safety Precautions

Do not install Arkon products over an air bag cover or within the air bag deployment zone. Arkon Resources, Inc. assumes no responsibility of liability for injury or death as a result of car crashes and/or air bag deployment.

Arkon is not responsible for any damages caused to your car, your device, or yourself due to the installation or use of this pedestal mount.

Rev. 102111

ARKON
RESOURCES INC.

The Mobile Mounting Specialists™

Consumer Hotline:

USA (800) 841-0884

INT'L (626) 254-9005

Monday - Friday 9 am - 5 pm, PST

www.arkon.com

Arcadia, CA 91006 USA

Designed in USA | Made in China

© Copyright 2011 Arkon Resources, Inc.