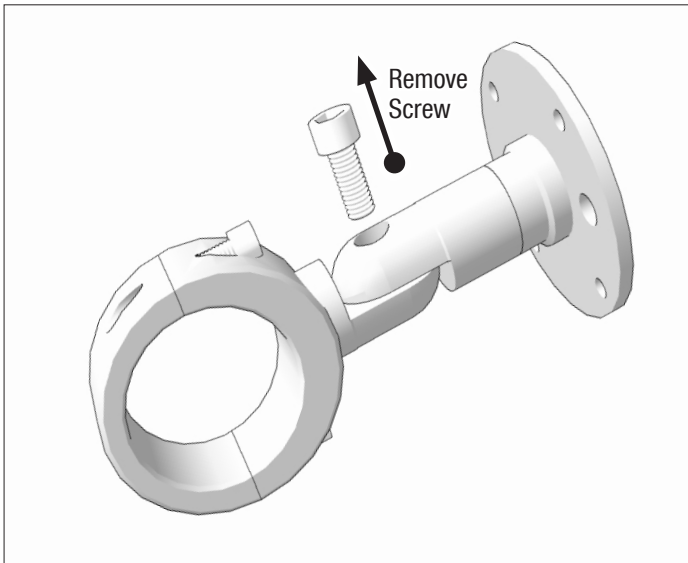


Package Contents:

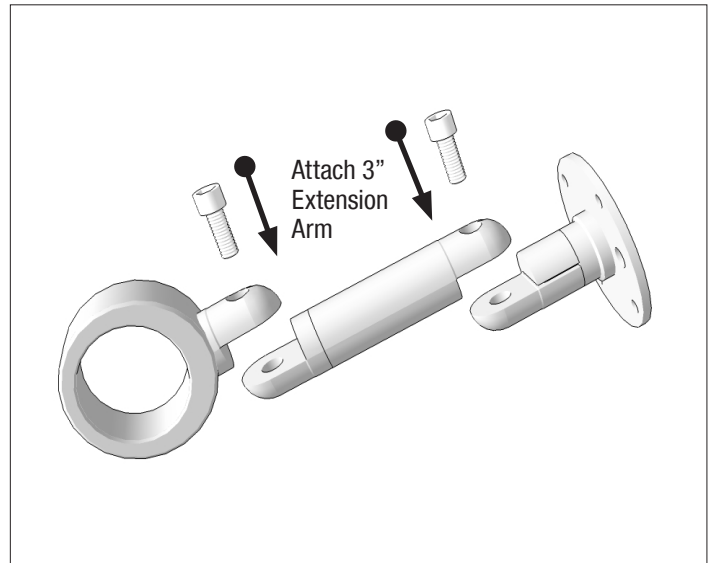
MC3EXT-C
Motorcycle Handlebar
Mount Accessory - 3"
Extension - Black



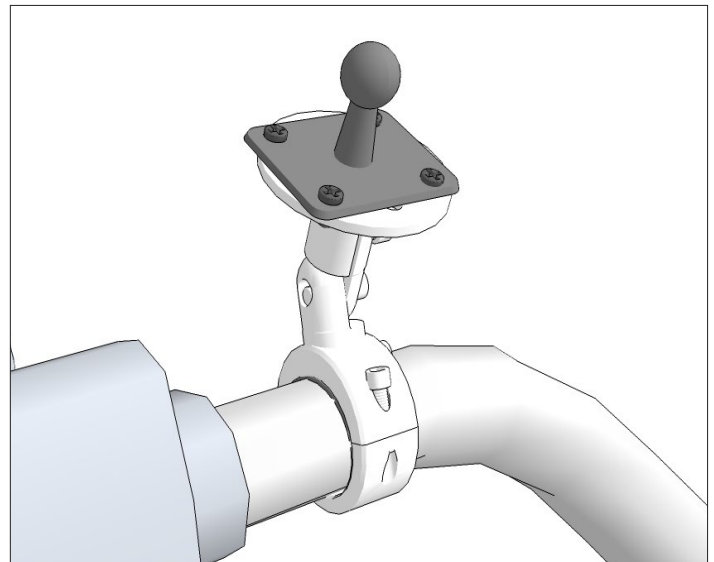
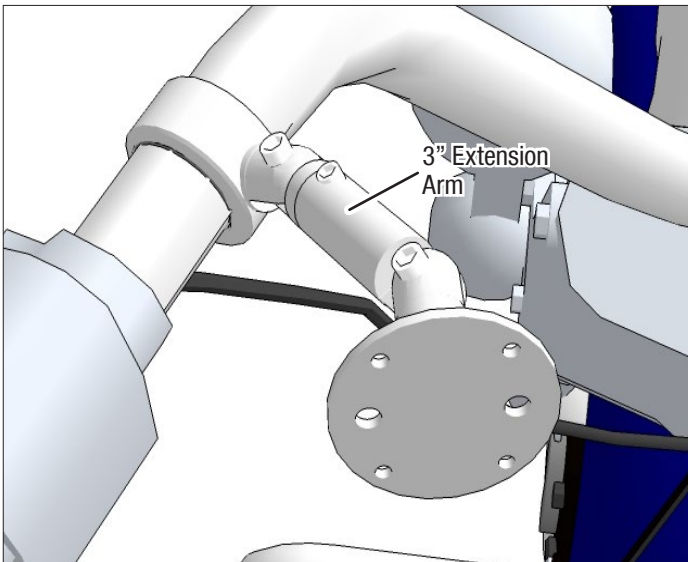
1 Remove screw from mount.



2 Attach 3" Extension arm to the mount with screws.



3 Attach mount to handlebar.



Safety Precautions

Arkon Resources, Inc. assumes no responsibility of liability for injury or death as a result of a crash.

Arkon is not responsible for any damages caused to your vehicle, your device, or yourself due to the installation or use of this mount.