

Package Contents:

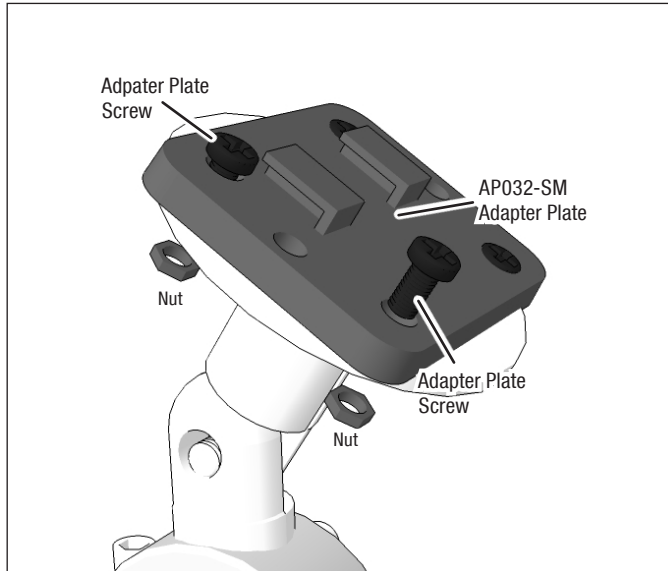
MC032
Motorcycle
Handlebar Mount
Black or Chrome
(Includes bushings & tools)



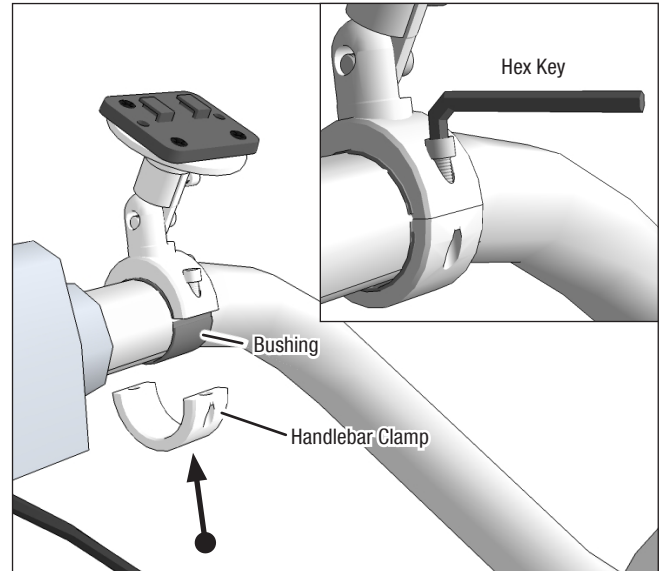
AP032-SM
AMPS to 2T
Adapter Plate



1 Attach adapter plate to the mount with included screws & nuts



2 Separate mount clamp by unscrewing the Clamp Bolts with appropriate hex key and place mount on handlebar where desired; reassemble mount clamp using appropriate reducer bushings if necessary



Safety Precautions

Arkon Resources, Inc. assumes no responsibility of liability for injury or death as a result of a crash.

Arkon is not responsible for any damages caused to your vehicle, your device, or yourself due to the installation or use of this mount.