

Package Contents:

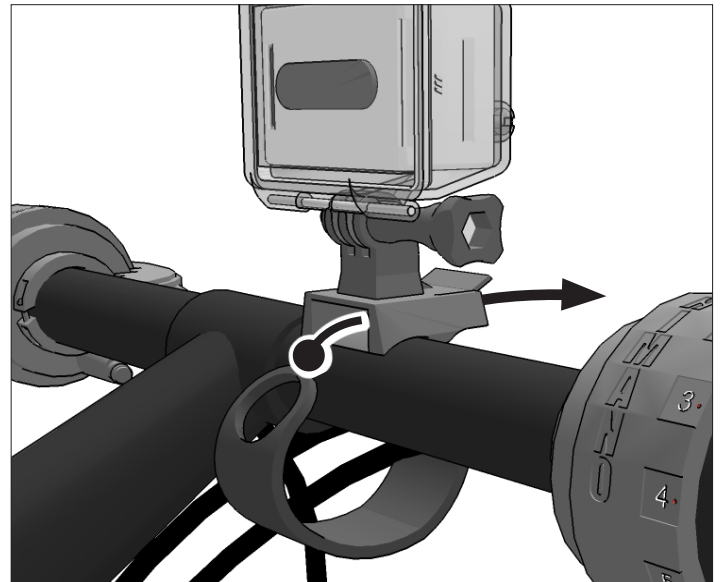
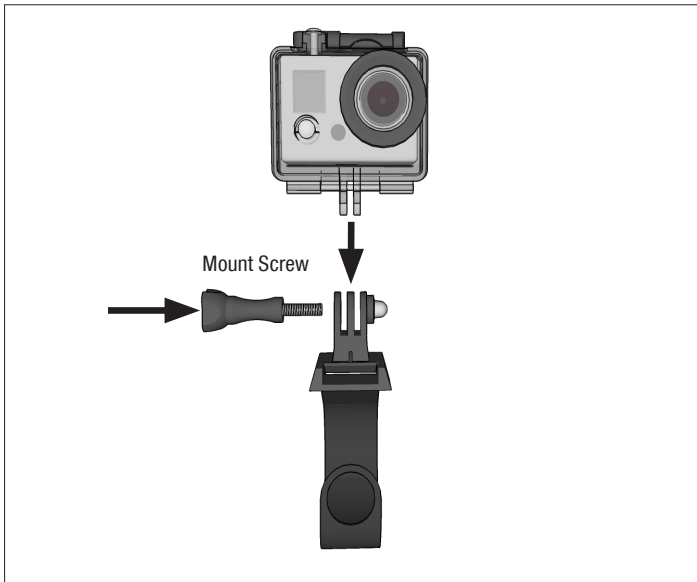


GP134
Quick Release Strap
Mount for GoPro®
(device not included)

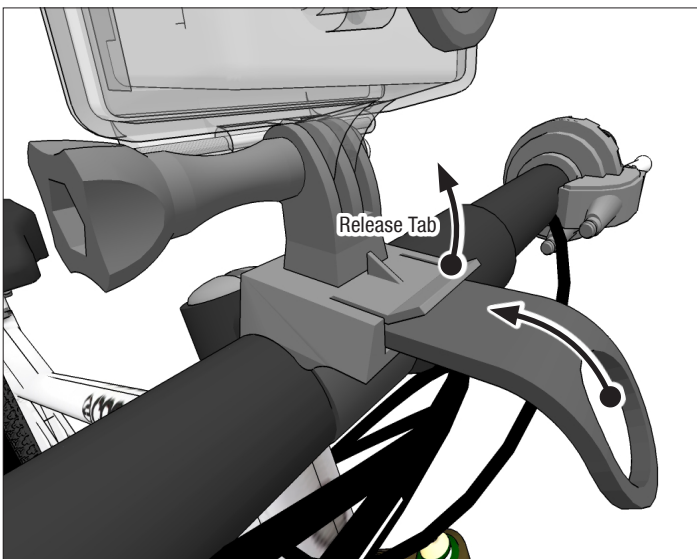
GoPro® is a registered trademark of Woodman Labs, Inc. in the United States and other countries. Arkon Resources, Inc is not affiliated with Woodman Labs.

- 1 Remove screw from the 3-prong bracket and insert GoPro camera and case, then re-insert screw. Tighten as needed.

- 2 Place mount on handlebar. Wrap strap around handlebar and insert through slot on back of mount. Pull tight as needed.



- 3 Remove by pulling up release tab and pushing strap back through slot.



Safety Precautions

Arkon is not responsible for any damages caused to your vehicle, your device, or yourself due to the installation or use of this mount.

Do not install Arkon products over an airbag cover or within the airbag deployment zone. Arkon Resources, Inc. assumes no responsibility of liability for injury or death as a result of car crashes and / or airbag deployment.