

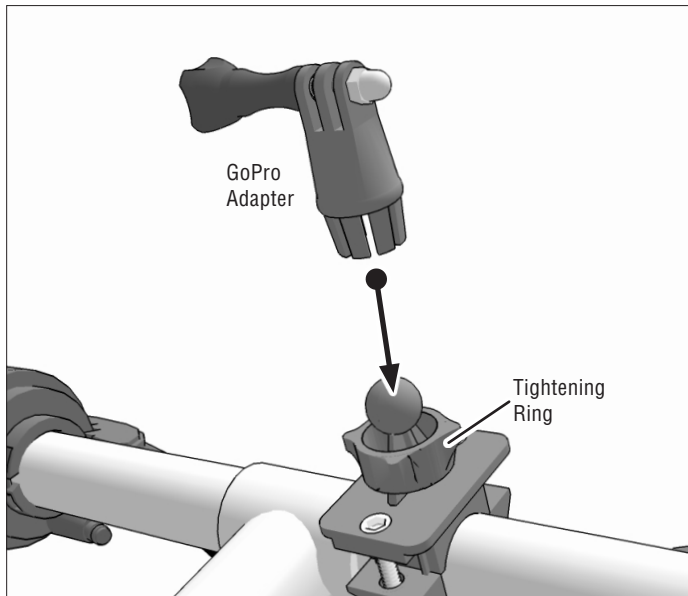
Package Contents:



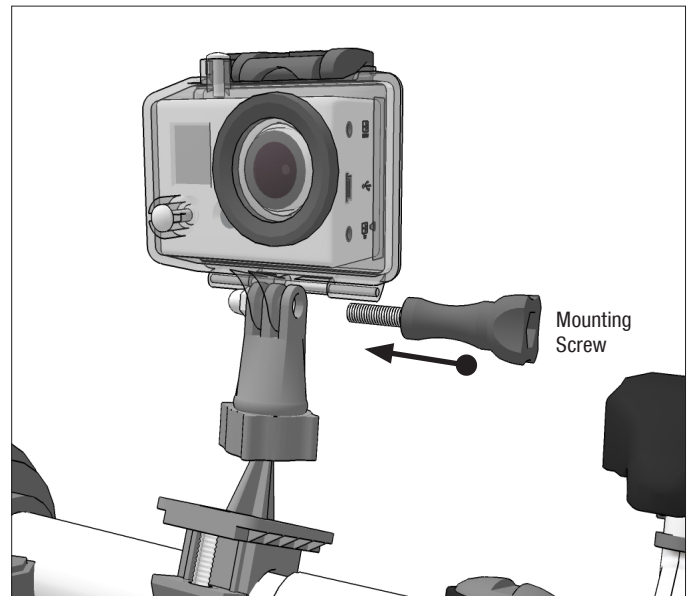
SP-SB-GPLAT
Adapter for GoPro®
to Arkon Ball
Connection

GoPro® is a registered trademark of Woodman Labs, Inc. in the United States and other countries. Arkon Resources, Inc is not affiliated with Woodman Labs.

- 1** Put tightening ring over ball head, then snap GoPro adapter onto the ball head. Connect both, tighten as necessary.



- 2** Remove screw from the 3-prong bracket and insert GoPro camera and case, then re-insert screw. Tighten as needed.



Safety Precautions

Arkon is not responsible for any damages caused to your vehicle, your device, or yourself due to the installation or use of this mount.