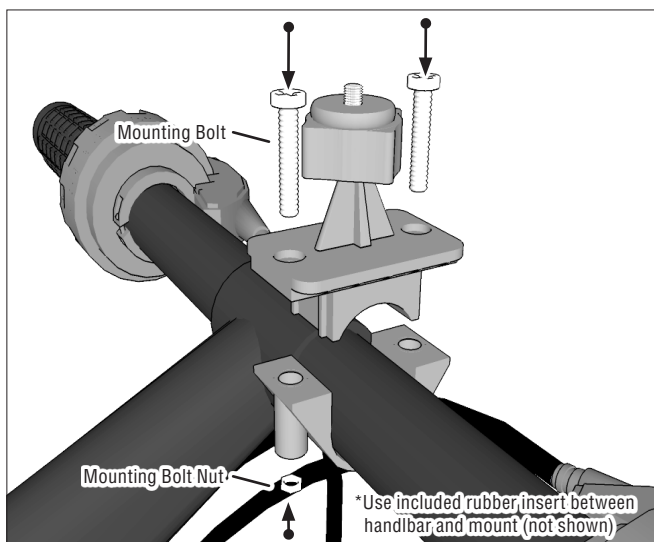


Package Contents:

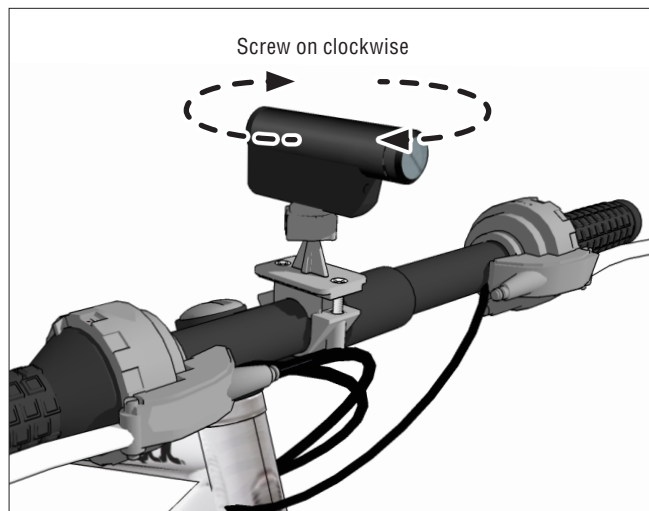
CMP227
Bike Handlebar
Camera Mount



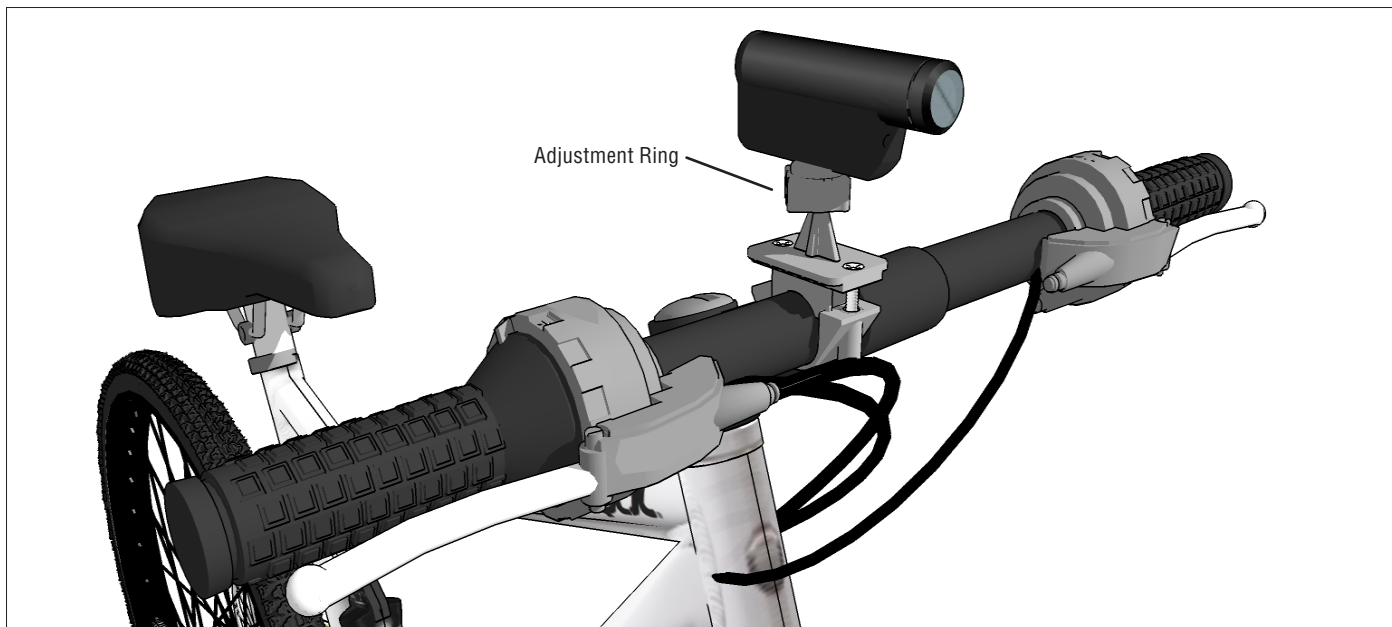
1 Attach the Mount to Handlebar with a Philips Screwdriver



2 Attach Camera or other device with 1/4" 20 mounting pattern to mounting screw on the mount



3 Adjust position of camera and tighten the adjustment ring to secure



Safety Precautions

Arkon is not responsible for any damages caused to your car, your device, or yourself due to the installation or use of this pedestal mount.

ARKON
RESOURCES INC.

The Mobile Mounting Specialists™

Consumer Hotline:
USA (800) 841-0884
INT'L (626) 254-9005
Monday - Friday 9am - 5pm, PST

www.arkon.com
Arcadia, CA 91006 USA
Designed in USA | Made in China
© Copyright 2012 Arkon Resources, Inc.