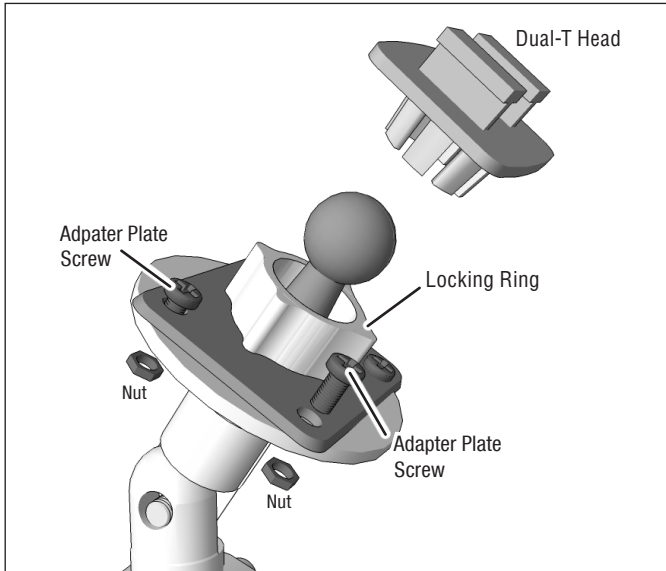


Package Contents:

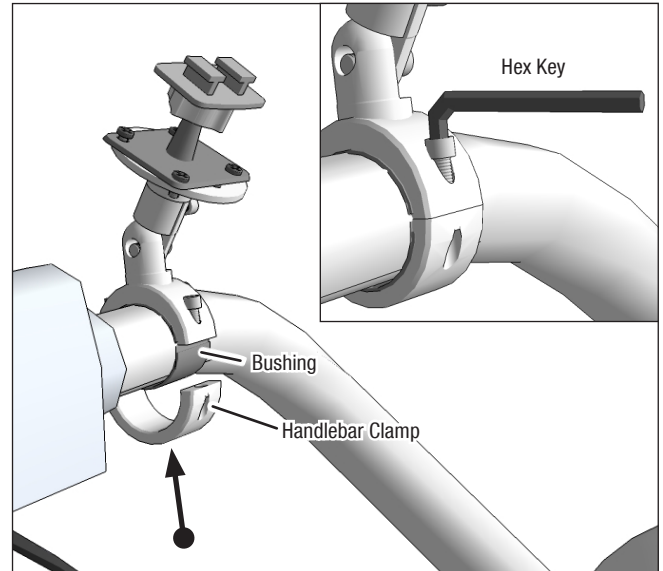
APAMPS17MM-SBH  
AMPS to 17MM Ball  
Adapter Plate



- 1 Attach adapter plate to the mount with included screws & nuts



- 2 Separate mount clamp by unscrewing the Clamp Bolts with appropriate hex key and place mount on handlebar where desired; reassemble mount clamp using appropriate reducer bushings if necessary



**Safety Precautions**

Arkon Resources, Inc. assumes no responsibility of liability for injury or death as a result of a crash.

Arkon is not responsible for any damages caused to your vehicle, your device, or yourself due to the installation or use of this mount.